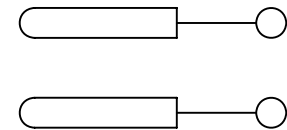
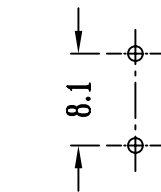
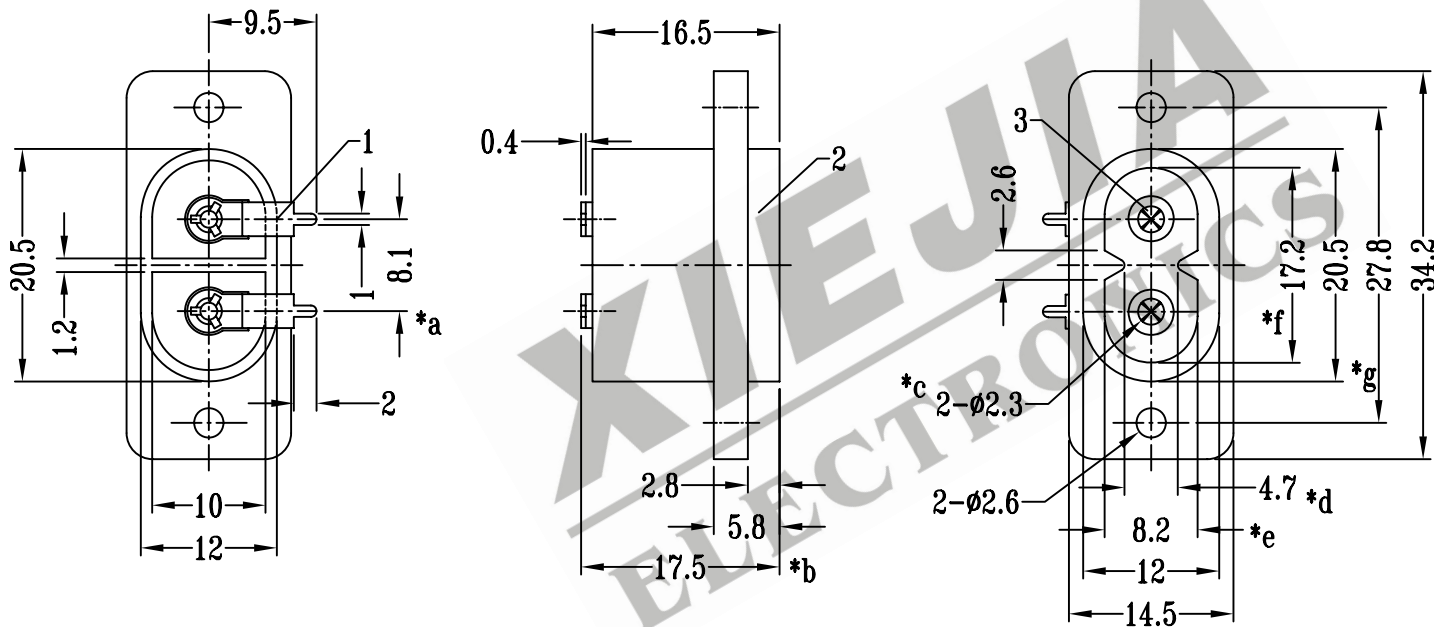


CAD FILE:



SCHEMATIC



P.C.B LAYOUT

注:带"\*"表示关键尺寸(7个)

8					TOLERANCE	SHENZHEN XIEJIA ELECTRONICS CO.,LTD.				
7					UNLESS SPECIFIED					
6					WITHIN: 1.5±0.1mm					
5					OVER : 1.5±0.2mm	ISSUE	DATE	DESCRIPTIONS		APPD.
4					TITLE : AC SOCKET	UNIT : MM		DRWG NO.: XJ-DR-AS214-00		
3	PLUG PIN	BRASS STRIP	2	Ag PLATED	MODEL: AS-214	SCALE: 3:2		DWN.	ZHOUYU	2005-9-5
2	CASE	PC	1	BLACK	ALL MATERIALS MUST BE COMPLIANT TO ROHS		CHK'D		FANGYING	2005-9-5
1	CONTACT	BRASS STRIP	2	Ag PLATED OVER Ni PLATED			APPD.		KANGXINAN	
NO.	PART NAME	MATERIAL	Q'TY	FINISHING						